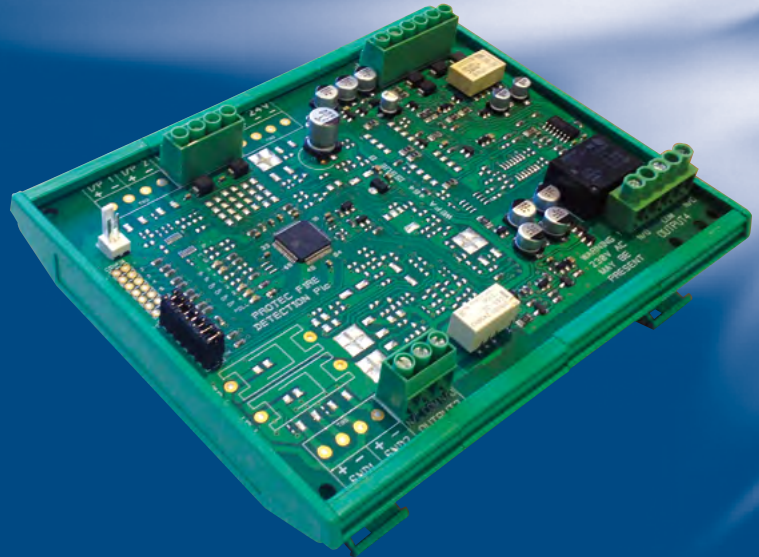
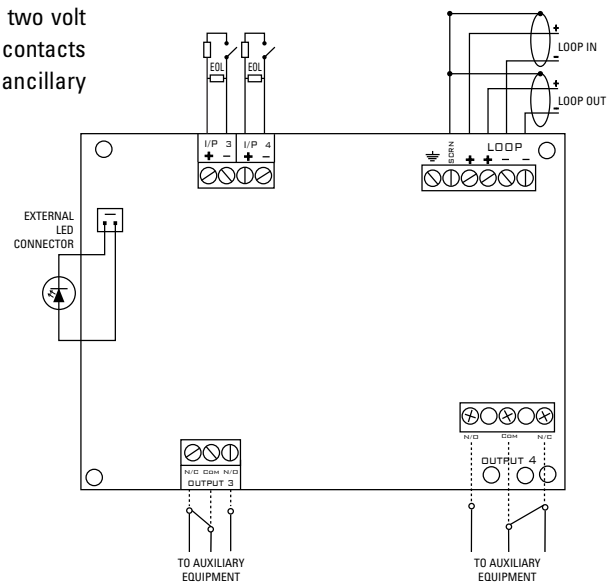


- 2 x Monitored Inputs
- 2 x Volt Free Changeover Contacts
- Loop Powered
- DIN Rail Mounted
- Integral Short Circuit Isolator
- Protec Algo-Tec 6000 Protocol



The Protec 2 way input/output interface is a loop powered input / output device providing 2 monitored inputs and two volt free changeover contacts. The contacts may be used to connect to ancillary equipment.

Wiring Diagram



Technical Specification

Loop protocol	Protec Algo-tec™ 6000 MX1
Loop isolator fitted	Yes, on board (consult Protec DEL2110 for details)
Loop voltage range	18 to 28V peak loop
Number of loop addresses used	2 maximum, user and build configurable
24V Auxiliary input voltage range	18 to 28V dc
Environmental operational limits	-10 to 50°C (maximum 95% RH no condensation or icing)
Loop quiescent current (24V loop peak)	1.6mA + zone end of line current + zone loading
Loop alarm current (average)	18mA
Zone short circuit current (24V)	26mA peak ± 2mA
Zone end of line requirements (I/P 1 & I/P 2)	Resistive - 8.2k ±5% ¼W, Capacitive - 100µ F ±20% in series with 22Ω ±5% ¼W
Input cabling requirements	Maximum cable resistance 6Ω per conductor Maximum cable capacitance 0.2µ F between cable conductors
Monitored input end of line details	End of line resistor value 47kΩ 1/4W ±5%
Monitored input short circuit threshold	Below 230Ω
Monitored input fire threshold	Below 7.85kΩ
Monitored input pre-alarm threshold	Below 32kΩ (Input 3 only)
Monitored input open circuit threshold	Above 111kΩ
Clean contact output details	1 Single pole changeover rated for 2A maximum at 24V dc (non inductive) 1 Single pole changeover rated for 5A maximum at 230V ac (non inductive)
Weight	245g (including din rail housing, no backbox, 4 way build)
LED Indicator	Use only high brightness LED (Protec stock code: NK 02-676-46)